



FSHT

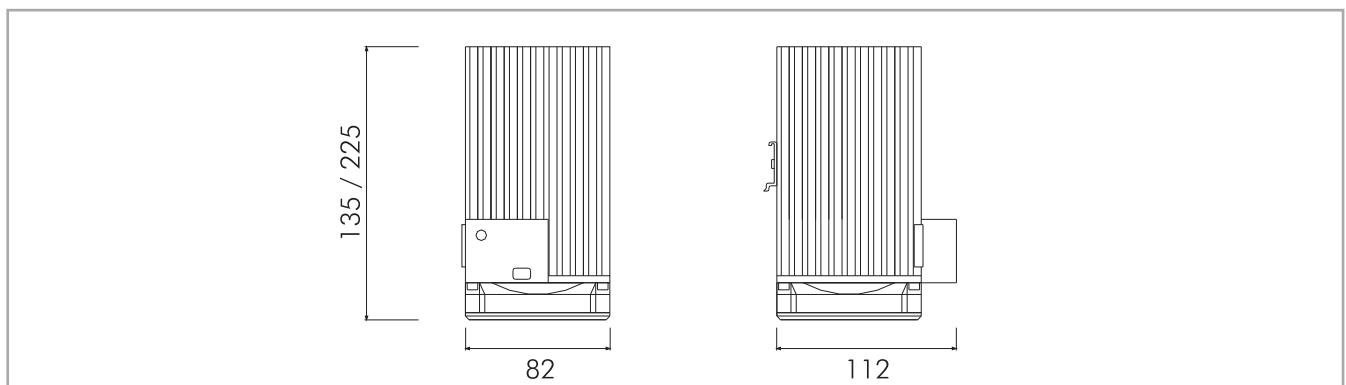
FAN ASSISTED, RESISTOR HEATERS



Features	Unit	FSHT250	FSHT251	FSHT400	FSHT401	FSHT500	FSHT501	FSHT750	FSHT751
Heating Capacity	W	250	250	400	400	500	500	750	750
Power supply	V/Hz	230/50-60	115/50-60	230/50-60	115/50-60	230/50-60	115/50-60	230/50-60	115/50-60
Max. current	A	1.2	2.4	1.9	3.8	2.4	4.8	3.6	7.2
Heating element type	-	Resistor							
Thermal protection	-	Thermal cut out fuse in case of fan failure							
Radiator	-	Extruded aluminium profile, anodized							
Axial fan	-	Ball bearing, service life 50.000 hrs at 25°C (77°F) air flow rate 35 m ³ /h, free flow							air flow rate 44 m ³ /h, free flow
Signalling	-	Green LED power ON							
Electrical connections	-	3 screw terminals for stranded or rigid wire 2.5 mm ²							
Protection class	-	Class I, earthed							
Protection degree EN60529	-	IP20							
Operating temperature	°C (°F)	-25/+70 (-13/+158)							
Storage temperature	°C (°F)	-45/+80 (-49/+176)							
Mounting	-	Clip for mounting on DIN rail 35 mm EN50022							
Installation position	-	Best efficiency in vertical position							
Dimensions HxWxD	mm	135x112x82	135x112x82	165x112x82	165x112x82	165x112x82	165x112x82	225x112x82	225x112x82
Weight (with packaging)	kg	0.88(0.94)	0.88(0.94)	0.97(1.04)	0.97(1.04)	0.97(1.04)	0.97(1.04)	1.35(1.42)	1.35(1.42)
Conformity/Certifications	-	CE - UL File n. E301228							

Accessories

Thermostat NC 0-60°C	THR2
Double thermostat NC 0-60°C NO 0-60°	THR22
Hygrothermostat 0-60°C 20-90%RH	ETUH22
Hygrostat 10-90%RH	MUH



Specifications, values and drawings are subject to change without notice.